



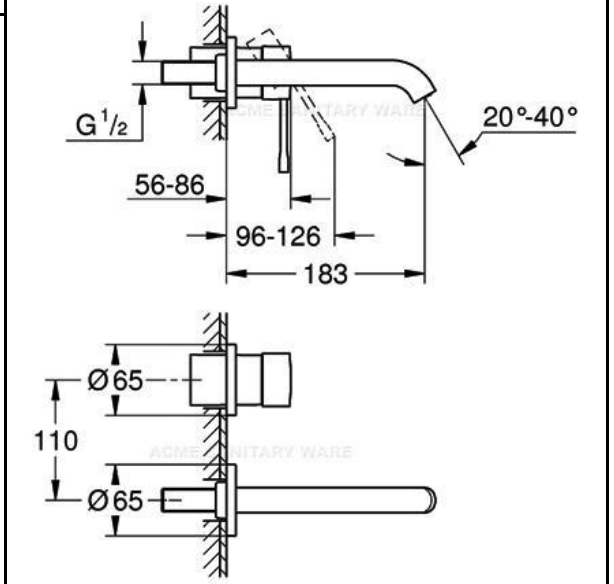
PROJECT		REF		REV	ITEM CODE	
LOCATION		DATE			PAGE	

## SANITARY WARE SPECIFICATION SHEET

Item Descriptions	GROHE (Germany) "Essence" Brushed warm sunset wall mounted 2-hole basin mixer; nominated flow rate <b>4.8 L/min</b> in WELS <b>Grade 1</b> ; Registration No. TM 18-0082
Model	19408DL1 (Mixer) 23571000 (Concealed Body)
Finish	Brushed Warm Sunset
Country of origin	Germany
Manufacturer	GROHE Limited
Supplier	Acme Sanitary Ware Co. Ltd Mr. Eric Wong/ Mr. Don Yuen
Contact Tel/Fax	(852) 2388-7171 / (852) 2710-8012
E-mail	acme@acmesanitary.com.hk
Website	www.acmesanitary.com.hk

Illustration/ Drawing

Dynamic flow pressure (kPa)	50	150	250	350	500
Flow rate (l/min)	2.95	4.58	4.95	4.83	5.03



Essence New  
 2-hole basin mixer M-Size  
 wall mounted  
 without concealed body

- GROHE EcoJoy** mousseur 5.7 l/min
- GROHE AquaGuide** adjustable mousseur
- GROHE StarLight** chrome finish
- projection 183 mm
- centre distance 110 mm
- metal escutcheon
- metal lever



- Colour options:**
- 001 | StarLight Chrome
  - DC1 | SuperSteel
  - DA1 | Warm Sunset
  - A01 | Hard Graphite
  - AL1 | Brushed Hard Graphite
  - GL1 | Cool Sunrise
  - GN1 | Brushed Cool Sunrise
  - DL1 | Brushed Warm Sunset
  - BE1 | Polished Nickel
  - EN1 | Brushed Nickel

\* All information of the above is for the reference only. No prior notice is made if any changes.

註冊號碼 (Registration No.): TM 18-0082




自願參與用水效益標籤計劃 - 水龍頭  
Voluntary Water Efficiency Labelling Scheme - Water Taps



茲證明  
This is to certify that

將下列水龍頭在本計劃內註冊：  
has registered the following water tap under this scheme :

牌子 / Brand	:	GROHE
型號 / Model	:	23571000 + 19408XX1
種類 / Type	:	Mixing
原產地 / Country or Region Origin	:	Germany (Body)

在用水效益標籤上展示的標誌 <i>Symbolic Presentation on the Water Efficiency Label</i>	:		滴水點 <i>Water droplet(s)</i>
用水效益級別 <i>Water Efficiency Grade</i>	:	1	
耗水量 <i>Water Consumption</i>	:	4.8	公升/分鐘 <i>litres/minute</i>

簽發日期：  
Date of Issue: 27 April 2018

 水務署  
Water Supplies Department



水務署署長(周世威代行)  
for Director of Water Supplies